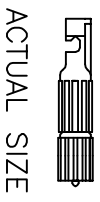


NOTES: UNLESS OTHERWISE SPECIFIED

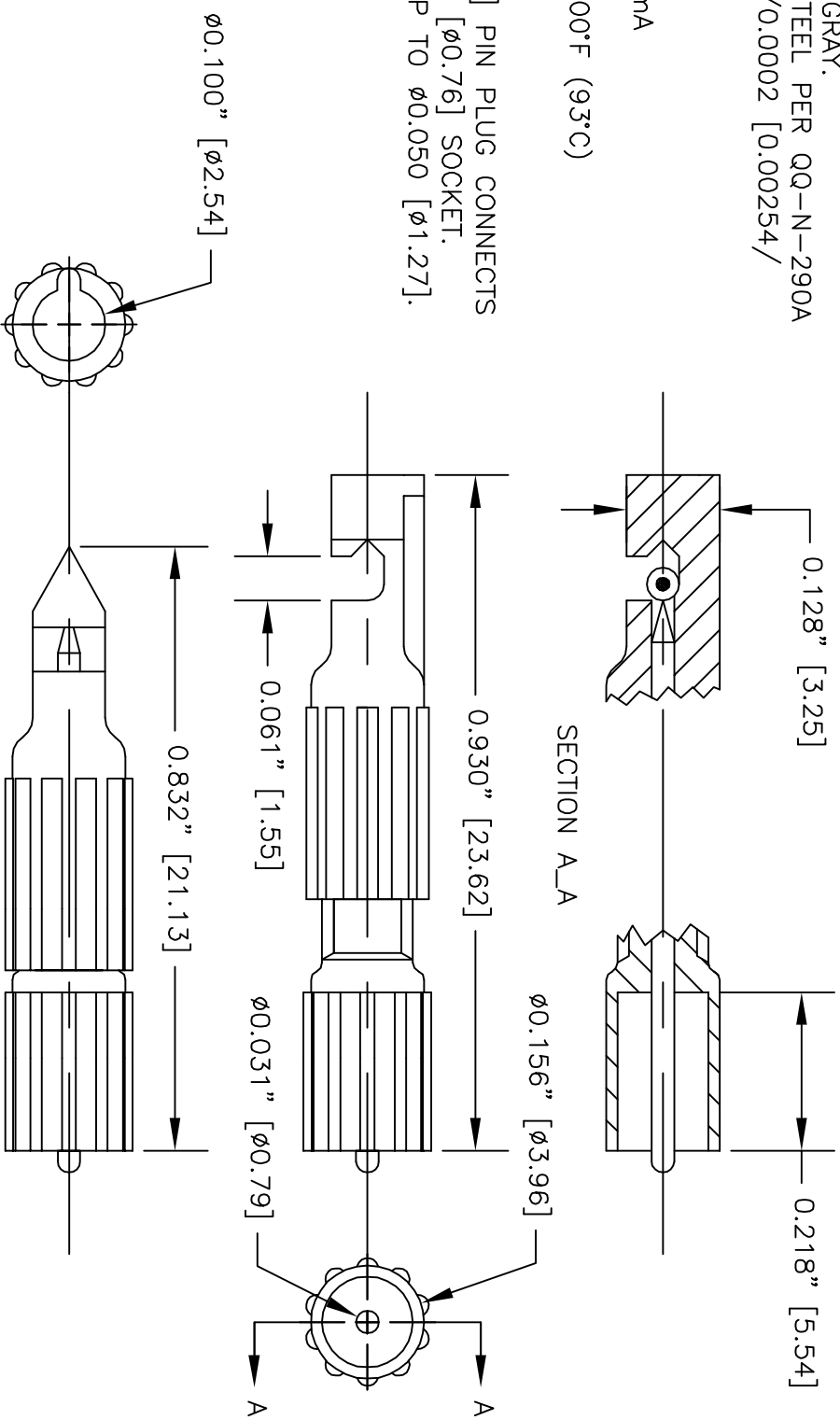
- CONSTRUCTION:
HOUSING & PLUNGER: NYLON 6,6. AVAILABLE ONLY IN GRAY.
NEEDLE: NICKEL PLATED STEEL PER QQ-N-290A CLASS 2 0.0001/0.0002 [0.00254/0.00508] THICK.

- PERFORMANCE:
MAXIMUM CURRENT: 500 mA
MAXIMUM VOLTAGE: 300 V
MAXIMUM TEMPERATURE: 200°F (93°C)

- FEATURES:
SHROUDED $\phi 0.030$ [$\phi 0.76$] PIN PLUG CONNECTS TO ANY STANDARD $\phi 0.030$ [$\phi 0.76$] SOCKET.
NEEDLE PIERCES LEADS UP TO $\phi 0.050$ [$\phi 1.27$].



ACTUAL SIZE



		CONTRACT NO.		DESCRIPTION	
		UNLESS OTHERWISE SPECIFIED DIMENSIONS ARE IN INCHES TOLERANCES ARE: FRACTIONS DECIMALS ANGLES		E-Z-HOOK DIVISION OF TEKTEST INC. ARCADIA, CA 91006 U.S.A.	
		+ .XX ± + .XXX ±		DRAWN R.L. DATE 6/09	
		MATERIAL SEE NOTE.		APPROVED BY	
		FINISH SEE NOTE.		SIZE CODE IDENT NO. DRAWING NO.	
		NEXT ASSY USED ON		A 08505 XEPCOLOR	
		APPLICATION DO NOT SCALE DRAWING		SCALE 4:1	
				SHEET 1 OF 1	

LTR	DESCRIPTION	DATE	APPROVEI

THE INFORMATION CONTAINED IN THIS DOCUMENT IS PROPRIETARY TO E-Z-HOOK. THE INFORMATION IS NOT TO BE REPRODUCED WITHOUT PRIOR WRITTEN PERMISSION OF E-Z-HOOK, DIV. OF TEKTEST INC. MAXIMUM TESTED RATINGS IN A HANDS-FREE CONTROLLED ENVIRONMENT. MAXIMUM RATINGS ARE NOT TO BE USED CONCURRENTLY.