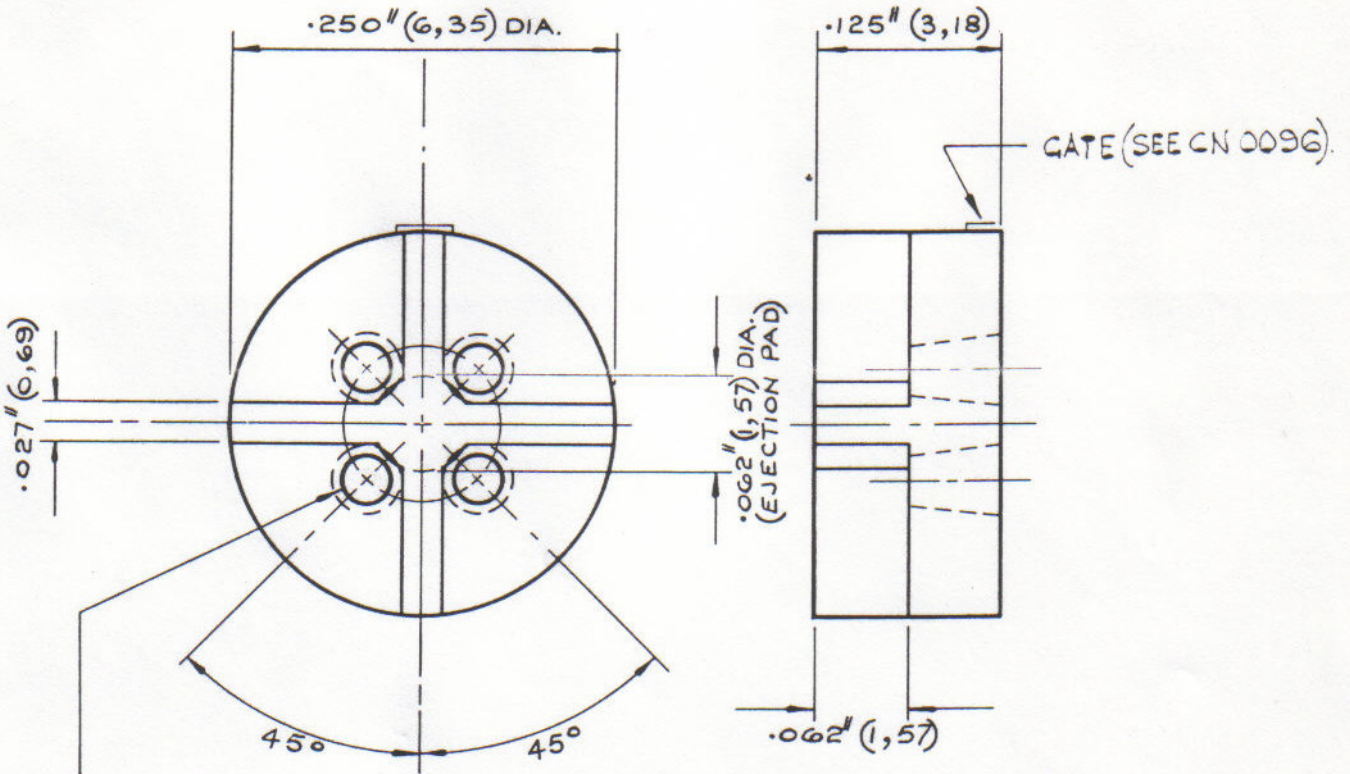


THIRD ANGLE PROJECTION

1° DRAFT ANGLE ON ALL VERTICAL SURFACES AND HOLES FOR EASE OF EJECTION.



4 HOLES .035" (0,89) DIA.
ON .100" (2,54) P.C.D.
HOLES TAPERING TO .047" (1,19) DIA. AS SHOWN.

PT No.	RAT No	MATL.
T018-002P	J18-1002P	A1407
T018-002D	J18-1002D	A1406

DATE	ISS.	REVISION	SIG.
30-1-74	C	RE DRAWN TO SUIT TOOLING	B.L.
14-1-77	D	MATERIAL AMENDED.	AF.
28-2-78	E	New No	NS.
4.1.79	F	CN NO 0096	RN.

MATERIAL	FINISH
See table	
TOLERANCE	DRAWN
± .005" (0,13) U.O.S.	B. LANE
	TRACED

TITLE TRANSISTOR PAD

SCALE: 8 : 1	CHECKED
DIMS. INCHES (mm)	DATE 30-1-74