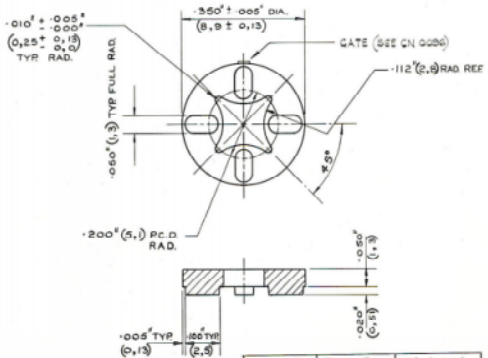


FOR EXPLANATION OF DIMENSIONS, ETC. SEE B.5.308
 REMOVE ALL BURRS & SHARP EDGES.
 A RADIUS OR CHAMFER .02 (MAX.) IS PERMITTED IN CORNERS
 OF BLIND HOLES, RECESSES & STEPS.

THIRD ANGLE PROJECTION



Type N°	Rev N°	Material.
JOS-002B	JOS-1002B	Alkub

DATE	CHANGES	
5-8-70	C	RE - DRAWN & METRIC ADDED.
10-10-77	D	MATERIAL CHANGED SPEC. ADDED
1, 3, 78	E	DRG. N° 00041015 WAS 97 N° ADDED
4. 1. 79	F	CN N° 0006.

TOLERANCE	DRAWN	B. LANE.
$\pm .010$ (0, 25)	TRACED	
MATERIAL	CHECKED	
	DATE	5-8-70

TITLE	SCALE: 5 : 1	DRG. No.
TRANSISTOR MOUNTING PAD	DIMS INCHES (m.m)	AO5-1002