

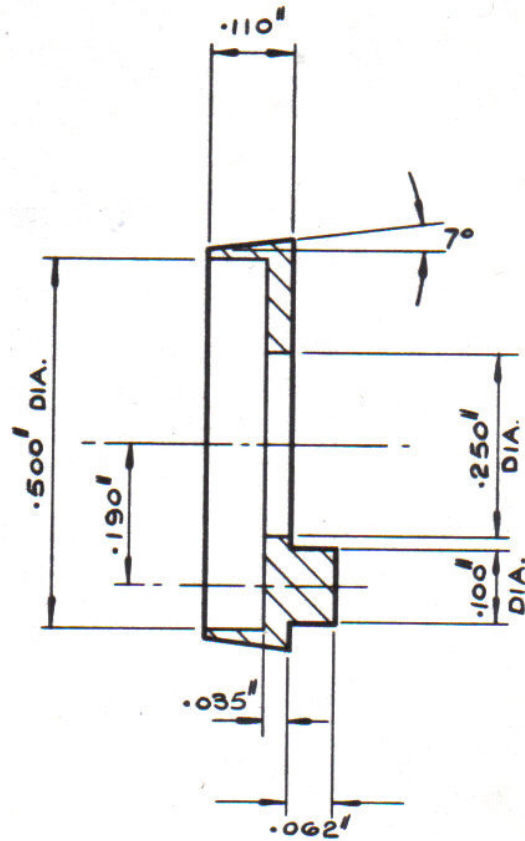
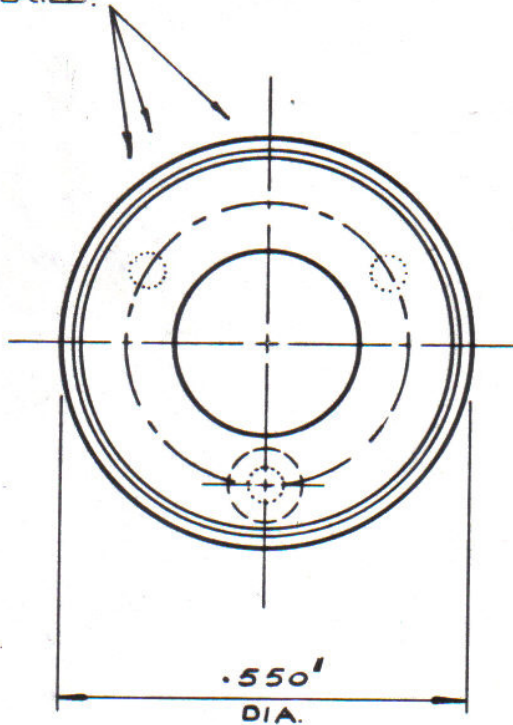
DRG. No.  

A22	1065	
-----	------	--

FOR EXPLANATION OF DIMENSIONING, ETC. SEE B.S.308

THIRD ANGLE PROJECTION

EJECTORS: A MAXIMUM OF 3 INDENTS, MAX 0.010" DEEP ARE ALLOWABLE ON .380(NOM) DIA, AS INDICATED:



NOTE 1. TO FIT  $\frac{1}{4}$ "-28 UNF O.B.A. & 6 mm BINDING HEAD SCREWS.  
 2. TEMPERATURE RANGE 150°C.

DATE	ISS.	REVISION	SIG.	TERMYN CODE	PIECE PART N <sup>o</sup>	Material.
22-11-73	B	REDRAWN - TO SCALE.	B.L.	A 1065	P22-1065	A11409
17-8-76	C	MATERIAL CHANGED.	FF	X22-1002	P22-1002	NYLON F114 GREY.
20.3.78	D	DRG <sup>o</sup> WAS A1065. Rationalised.	GM.	MATERIAL SEE TABLE		FINISH NATURAL
27.6.78	E	EJECTORS NOTE ADDED C146	DR	TOLERANCE $\pm .005$ "		DRAWN B. LANE
2.9.80	F	CHANGE NOTE No. 254	RN.			TRACED
10.6.81	G	C.N. N <sup>o</sup> 273		SCALE: 4:1		CHECKED
TITLE PANEL WASHER				DIMS. INCHES		DATE 22-11-73
<b>Jermyn Manufacturing</b> Sevenoaks Kent Telephone Sevenoaks (0732) 58271 Telegrams Jermyn Sevenoaks Telex 95142				DRG. No.		
				A22 1065		