

NOTES: UNLESS OTHERWISE SPECIFIED

1. CONSTRUCTION:
HOUSING & PLUNGER: MOLDED MINLON 11C40 TYPE 6,6.
AVAILABLE IN TEN COLORS.

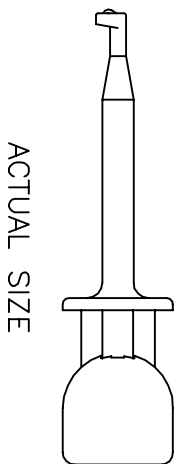
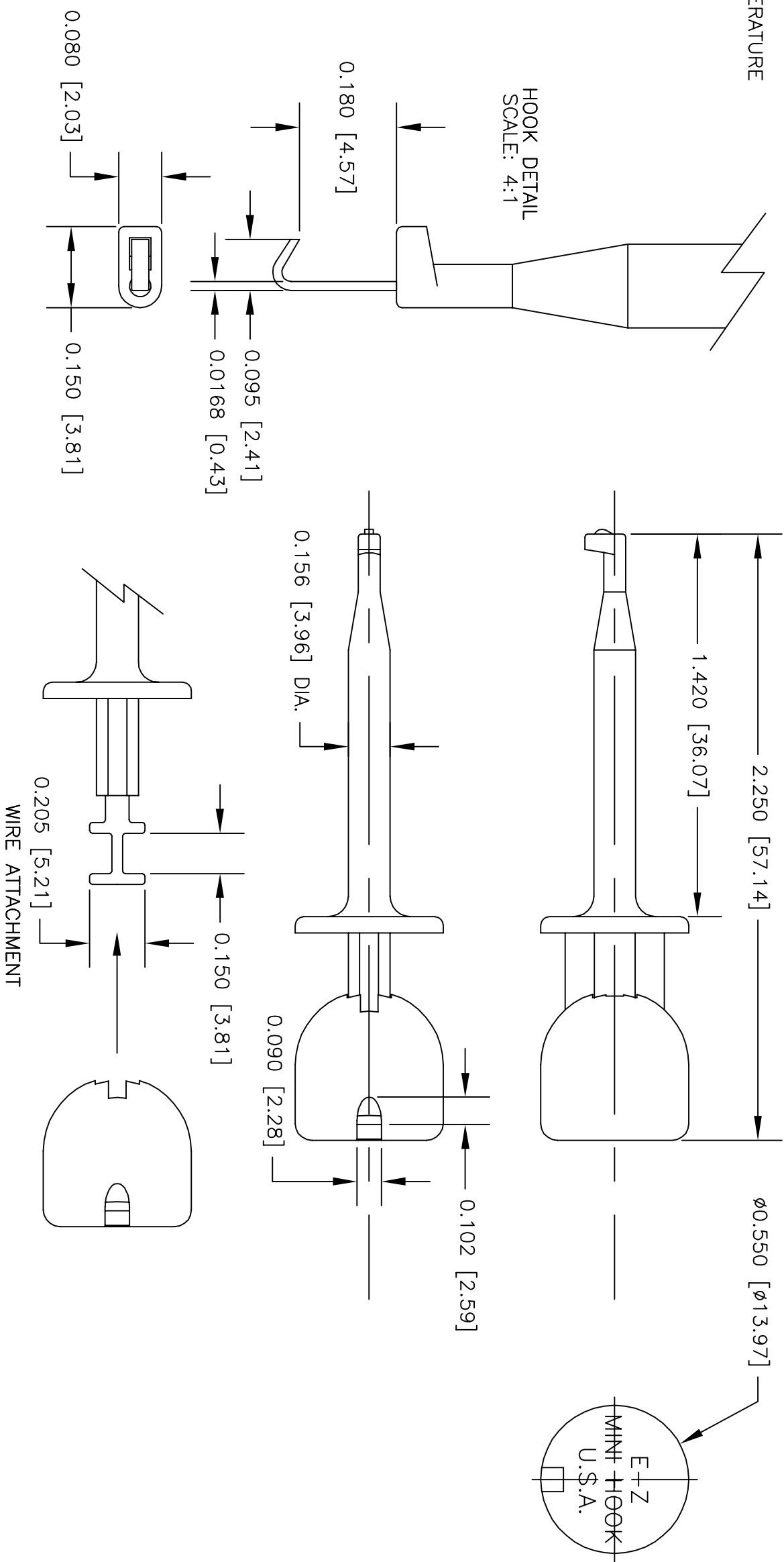
CONTACT BLADE: BERYLLIUM COPPER PER QQ-C-533. GOLD PLATED PER MIL-G-45204 B TYPE 1 0.00001" [0.000254] THICK MINIMUM.
SPRING: STAINLESS STEEL TYPE 302.

2. PERFORMANCE:
MAXIMUM CURRENT: 5.9 AMPS WITH A 77° TEMPERATURE RISE.

MAXIMUM VOLTAGE: 5.4 KV

MAXIMUM TEMPERATURE: 250°F (122°C) CONT.

3. FEATURES:
HOOK FITS COMPONENTS UP TO 0.040" [1.01].
FIELD SERVICEABLE.



		UNLESS OTHERWISE SPECIFIED DIMENSIONS ARE IN INCHES FRACTIONS DECIMALS ANGLES		CONTRACT NO.		E-Z-HOOK [®] DIVISION OF TEKTEST INC. ARCADIA, CA 91006 U.S.A.	
		.XX ± .XXX ±		APPROVALS		DESCRIPTION	
		±		DATE		E-Z-MINI-HOOK TEST CONNECTOR HI-TEMP	
		MATERIAL SEE NOTE.		DRAWN R.L.		SIZE CODE IDENT NO. DRAWING NO.	
		FINISH SEE NOTE.		6/09		B 08505 X100WX	
		APPLICATION USED ON		APPROVED BY		SCALE 2:1	
		DO NOT SCALE DRAWING				SHEET 1 OF 1	
						REV.	

LTR	REVISIONS	DESCRIPTION	DATE	APPROVED

THE INFORMATION CONTAINED IN THIS DOCUMENT IS PROPRIETARY TO E-Z-HOOK. THE INFORMATION IS NOT TO BE REPRODUCED WITHOUT PRIOR WRITTEN PERMISSION OF E-Z-HOOK, DIV. OF TEKTEST INC. MAXIMUM TESTED RATINGS IN A HANDS-FREE CONTROLLED ENVIRONMENT. MAXIMUM RATINGS ARE NOT TO BE USED CONCURRENTLY.