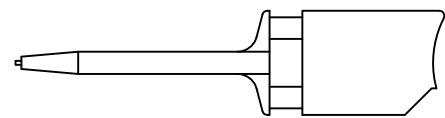
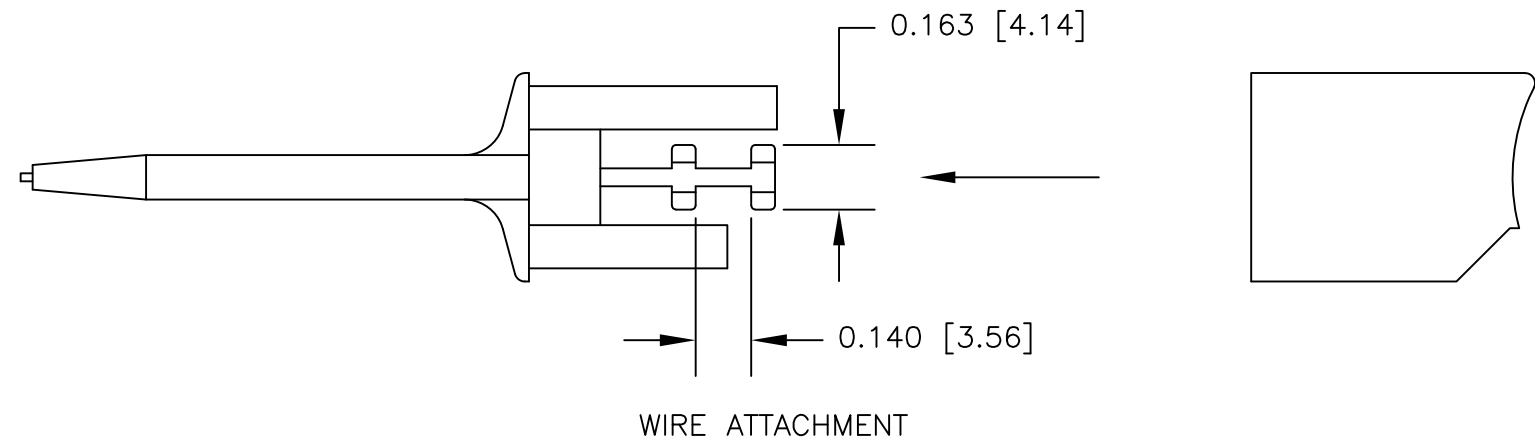
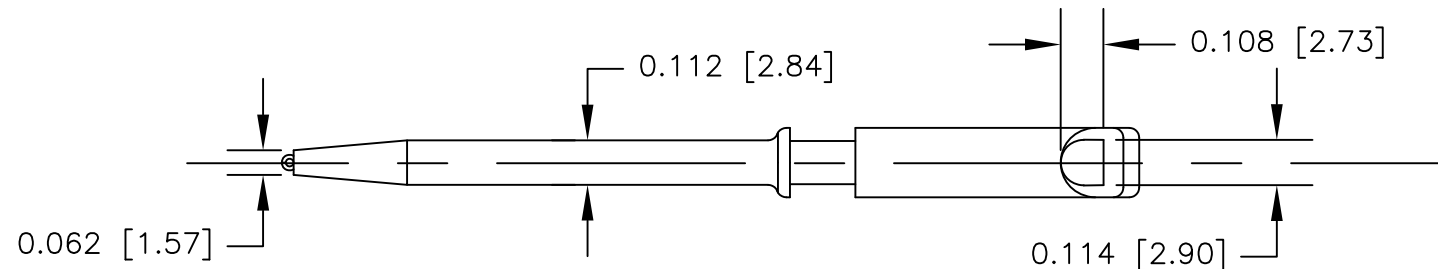
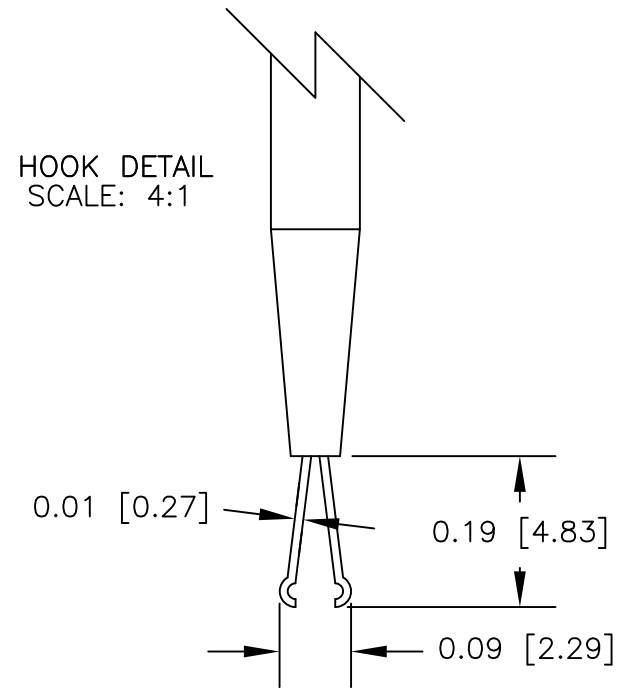
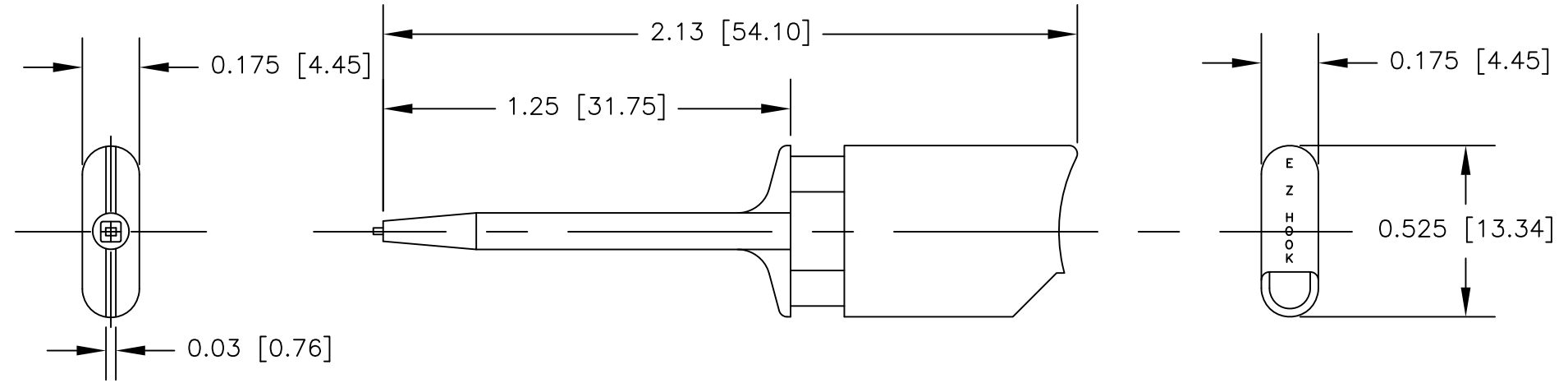


NOTES: UNLESS OTHERWISE SPECIFIED

- CONSTRUCTION:
HOUSING & PLUNGER: GLASS FILLED CELCON. AVAILABLE IN TEN COLORS.
CONTACT: GOLD OVER NICKEL PLATED STAINLESS STEEL.
SPRING: STAINLESS STEEL
- PERFORMANCE:
MAXIMUM CURRENT: 2 AMPS
MAXIMUM VOLTAGE: 300 V
MAXIMUM TEMPERATURE: 230°F (110°C)
- FEATURES:
HOOK FITS COMPONENTS UP TO $\varnothing 0.010$ [$\varnothing 0.25$]
FIELD SERVICEABLE.

| LTR | REVISIONS | | DATE | APPROVED |
|-----|-------------|--|------|----------|
| | DESCRIPTION | | | |
| | | | | |



ACTUAL SIZE

| | | | | | |
|-------------|---------|---|--------------|------|--|
| | | UNLESS OTHERWISE SPECIFIED DIMENSIONS ARE IN INCHES TOLERANCES ARE: FRACTIONS DECIMALS ANGLES ± .XX ± ± .XXX ± | CONTRACT NO. | | E-Z-HOOK DIVISION OF TEKTEST INC. ARCADIA, CA 91006 U.S.A. |
| | | | APPROVALS | DATE | |
| | | MATERIAL SEE NOTE. | DRAWN R.L. | 7/09 | DESCRIPTION E-Z-MICRO HOOK DOUBLE GRIPPER TEST CONNECTOR |
| | | FINISH SEE NOTE. | APPROVED BY | | |
| NEXT ASSY | USED ON | | | | SIZE B |
| APPLICATION | | DO NOT SCALE DRAWING | | | CODE IDENT NO. 08505 |
| | | | | | DRAWING NO. XK |
| | | | | | SCALE 2:1 |
| | | | | | REV. SHEET 1 OF 1 |