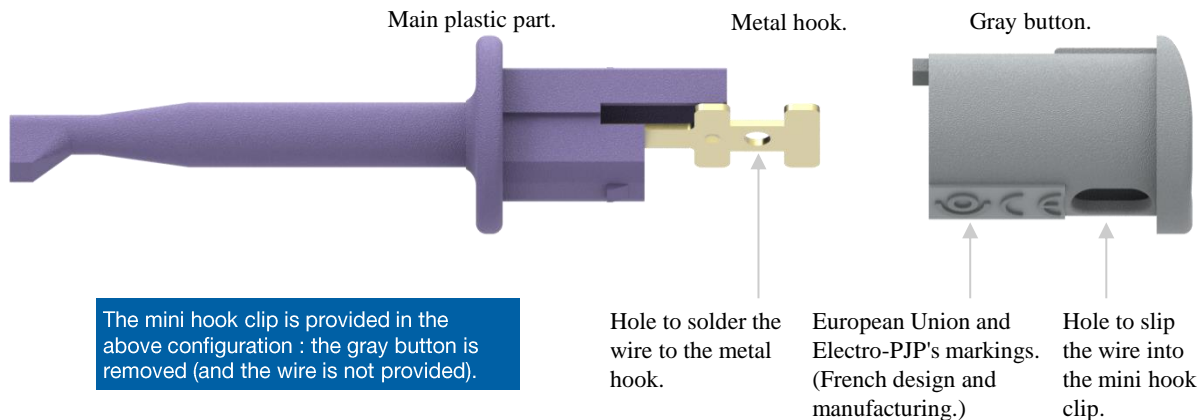
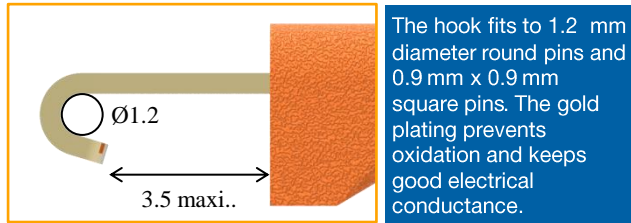
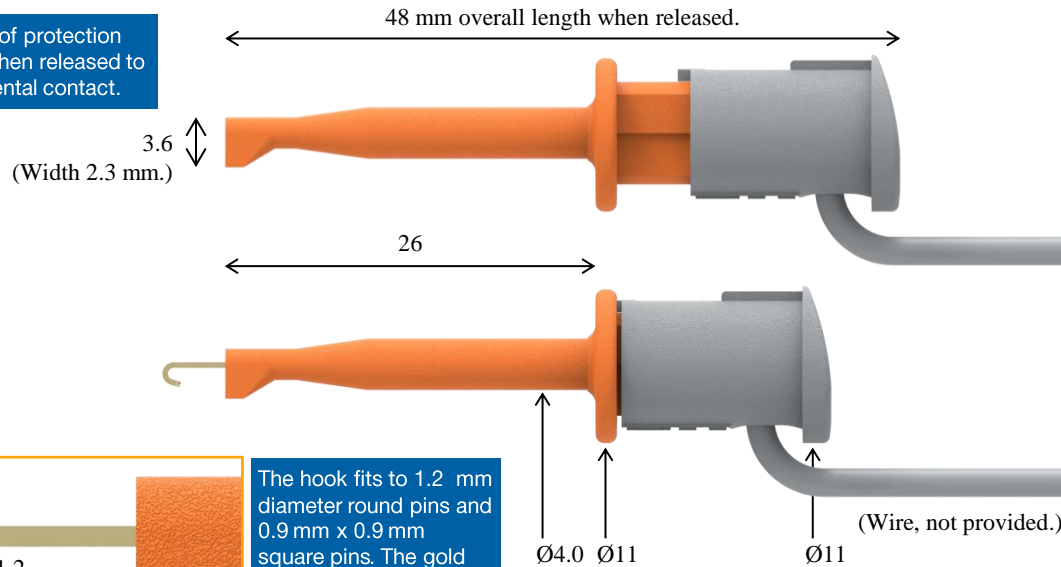


6012-PRO

Designation : Do-it-Yourself (DIY). Professional Mini Hook Clip. Solder Wire Attachment.

Applications : to make mini hook clip leads.

IP2X touchproof protection on the hook when released to prevent accidental contact.



The mini hook clip is provided in the above configuration : the gray button is removed (and the wire is not provided).

How to use : to attach a wire.

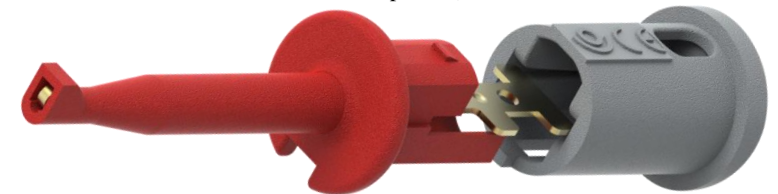
Step 1 of 6. I gather a solder iron (150 W maxi.), some (lead or lead-free) tin solder wire, a stranded wire with the specifications below, and a tool to strip the wire.

Specifications of the wire.
(Electro-PJP part numbers 9002, 9025, and 9026 comply.)

Ø2.2 mm maxi.
0.40 mm² maxi.
(approximately AWG21).



- Step 2 of 6. I slip the end of the wire into the hole of the gray button.
- Step 3 of 6. I strip the end of the wire on 3 mm maximum.
- Step 4 of 6. I slip the stripped end of the wire into the hole of the metal hook. With the solder iron and the tin solder wire I solder the wire to the metal hook (it complies with both lead-free tin and lead-tin).
- Step 5 of 6. I slip the metal hook into the gray button as shown below (the wire is not shown on the picture).



Step 6 of 6. I push the gray button towards the main plastic part until the gray button abuts against the main plastic part. As shown below.



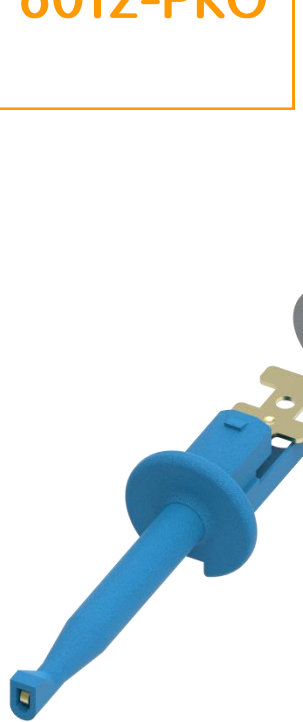
The mini hook clip is ready to use.

6012-PRO



DATA SHEET (page 2 of 2).

Designation : Do-it-Yourself (DIY). Professional Mini Hook Clip. Solder Wire Attachment.



Electrical safety	Very low voltages only : 30 V AC / 60 V DC, 6 A (at +40 °C).												
Operating temperature range	-20 °C mini., +80 °C maxi. (please see above too).												
Conformity	<ul style="list-style-type: none"> European Directive "RoHS" 2011/65/EU. European REACH regulation n°1907 / 2006. 												
Environment	<ul style="list-style-type: none"> "RoHS" compliant, Pb ≤ 4 % in conductor, Pb ≤ 0.1 % in insulator, Hg ≤ 0.1 %, Cr VI ≤ 0.1 %, Cd ≤ 0.01 %, PBB ≤ 0.1 %, and PBDE ≤ 0.1 %. REACH compliant, no substances from the candidate list of SVHC for authorisation at mass concentrations greater than 0.1 %. 												
Materials	Conductors : gold-coated brass, and steel. Insulators, please contact us.												
Colors	<table border="1"> <tr> <td>Black</td> <td>Red</td> <td>Yellow</td> <td>Green</td> <td>Blue</td> <td>White</td> </tr> <tr> <td>Brown</td> <td>Purple</td> <td>Gray</td> <td>Orange</td> <td></td> <td></td> </tr> </table> <p>(The color of the button is always gray.)</p>	Black	Red	Yellow	Green	Blue	White	Brown	Purple	Gray	Orange		
Black	Red	Yellow	Green	Blue	White								
Brown	Purple	Gray	Orange										
Weight	0.002 kg.												
Origin	Designed and manufactured in France.												
Reliability benchmark	Year of 1st placing on the market 2004.												
Packaging	Bag of 10 mini hook clips of the same color (default packaging).												

Contact us at :

sales@electro-pjp.com

+33(0) 384 821 330

www.electro-pjp.com

ELECTRO-PJP
ZI «Charmes d'Amont»
13 rue de Madrid
39500 TAVAUUX
FRANCE

GLOSSARY :

ACCESSIBLE. Able to be touched with a standard test finger or test pin.

BASIC INSULATION. Insulation of HAZARDOUS LIVE parts which provides basic protection.

CAT II. Measurement or overvoltage category II. For measurement performed on / equipment connected to the building wiring.

CAT III. Measurement or overvoltage category III. For measurement performed on / equipment connected to part of a building wiring installation.

CAT IV. Measurement or overvoltage category IV. For measurement performed on / equipment connected to the origin of the electrical supply to a building.

CLEARANCE. Shortest distance in air between two conductive parts.

CREEPAGE DISTANCE. Shortest distance along the surface of a solid insulating material between two conductive parts.

CTI. Comparative Tracking Index of the insulating material in accordance with IEC 60112.

DOUBLE INSULATION. Insulation comprising both BASIC INSULATION and SUPPLEMENTARY INSULATION.

EN / IEC 60529. European / international standard regarding the degrees of protection provided by enclosures.

EN / IEC 61010-1. European / international standard regarding the safety requirements for electrical equipment for measurement, control, and laboratory use – Part 1: General requirements.

EN / IEC 61010-031. European / international standard regarding the safety requirements for electrical equipment for measurement, control and laboratory use – Part 031: Safety requirements for hand-held probe assemblies for electrical measurement and test.

"LVD". European Directive 2014/35/EU on the harmonization of the laws of Member States relating to electrical equipment designed for use within certain voltage limits. (Usually called the Low Voltage Directive.)

MAINS. Low-voltage electricity supply system to which the equipment concerned is designed to be connected for the purpose of powering the equipment.

MAINS CIRCUIT. Circuit which is intended to be directly connected to the MAINS for the purpose of powering the equipment.

OVERVOLTAGE CATEGORY. Numeral defining a TRANSIENT OVERVOLTAGE condition.

POLLUTION. Addition of foreign matter, solid, liquid or gaseous (ionized gases), that may produce a reduction of dielectric strength or surface resistivity.

POLLUTION DEGREE. Numeral indicating the level of POLLUTION that may be present in the environment.

POLLUTION DEGREE 1. No POLLUTION or only dry, non-conductive POLLUTION occurs, which has no influence.

POLLUTION DEGREE 2. Only non-conductive POLLUTION occurs except that occasionally a temporary conductivity caused by condensation is expected.

REINFORCED INSULATION. Insulation which provides protection against electric shock not less than that provided by DOUBLE INSULATION.

"RoHS". European Directive 2011/65/EU on the restriction of the use of certain hazardous substances in electrical and electronic equipment.

SOLID INSULATION. Insulating materials.

SUPPLEMENTARY INSULATION. Independent insulation applied in addition to BASIC INSULATION in order to provide protection against electric shock in the event of a failure of BASIC INSULATION.

TRANSIENT OVERVOLTAGE. Short duration overvoltage of a few milliseconds or less, oscillatory or non-oscillatory, usually highly damped.

WORKING VOLTAGE. Highest r.m.s. value of the a.c. or d.c. voltage across any particular insulation which can occur when the equipment is supplied at rated voltage.