

NOTES: UNLESS OTHERWISE SPECIFIED

1. CONSTRUCTION:

HOUSING & PLUNGER: MOLDED NYLON TYPE 6,6.
 AVAILABLE IN TEN COLORS.
 CONTACT BLADE: BERYLLIUM COPPER.
 GOLD PLATED PER MIL-G-45204 C TYPE 1 0.00001" [0.00254]
 THICK MINIMUM.
 SPRING: STAINLESS STEEL TYPE 302.

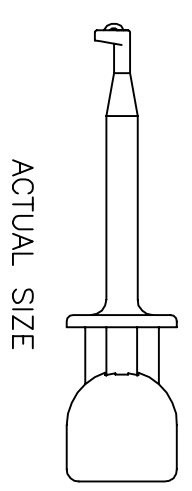
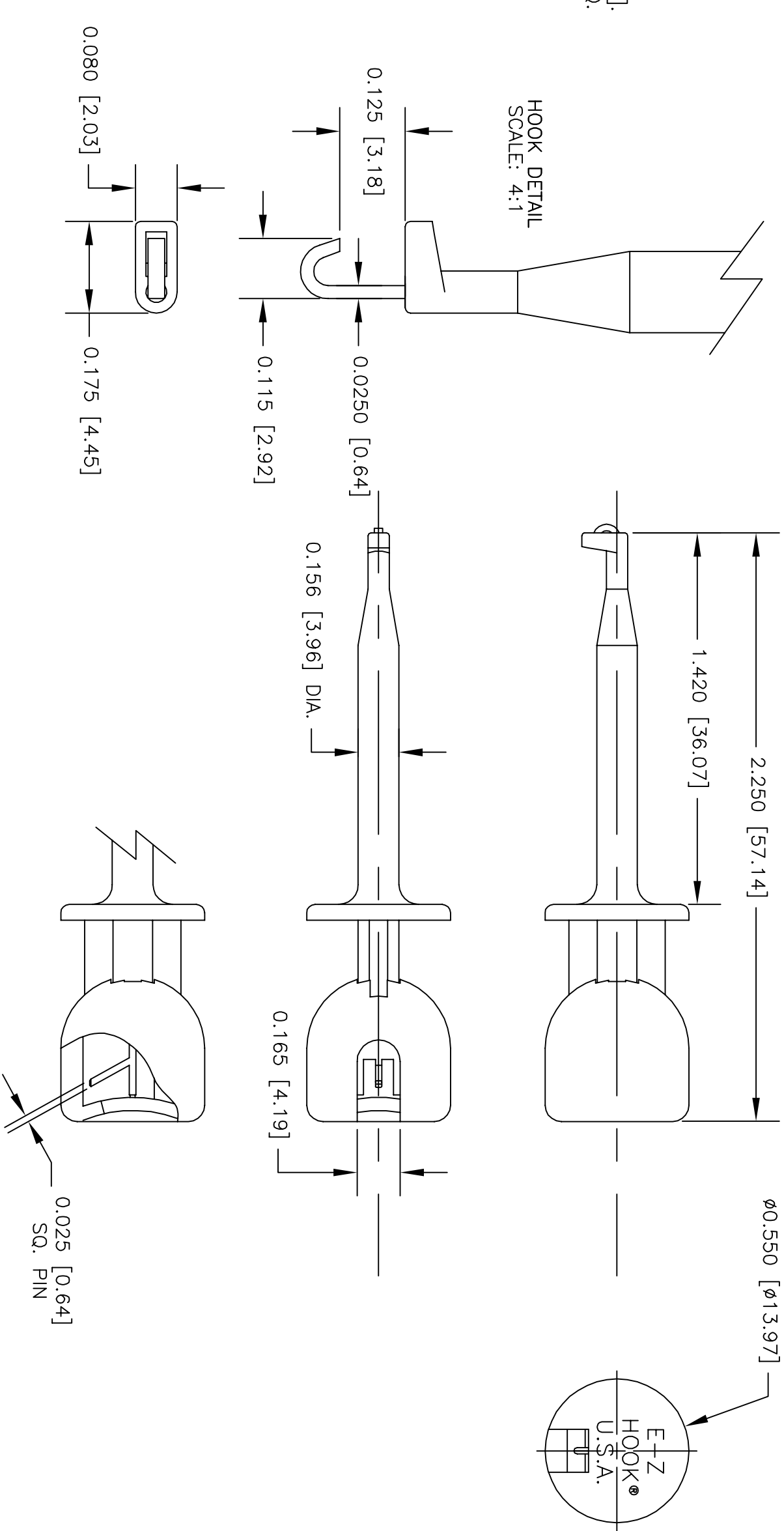
2. PERFORMANCE:

MAXIMUM CURRENT: 5.9 AMPS WITH A 77°
 TEMPERATURE RISE.
 MAXIMUM VOLTAGE: 5.4 KV
 MAXIMUM TEMPERATURE: 200°F (93°C)

3. FEATURES:

HOOK FITS COMPONENTS UP TO $\phi 0.025$ " [0.64].
 PIN PERMITS CONNECTION TO 0.025" [0.64] SQ.
 OR $\phi 0.030$ " [0.76] SOCKETS.

LTR	REVISIONS	DESCRIPTION	DATE	APPROVED



ACTUAL SIZE

UNLESS OTHERWISE SPECIFIED DIMENSIONS ARE IN INCHES. TOLERANCES ARE: FRACTIONS DECIMALS ANGLES		CONTRACT NO.	
± .XX ±	± .XXX ±	APPROVALS	DATE
±	±	R.L.	7/09
MATERIAL SEE NOTE.		APPROVED BY	
FINISH SEE NOTE.			
NEXT ASSY USED ON			
APPLICATION			
DO NOT SCALE DRAWING			
<p>EZ-HOOK DIVISION OF TEKTEST INC. ARCADIA, CA 91006 U.S.A.</p>		<p>DESCRIPTION: E-Z-MINI-HOOK WITH SQUARE PIN</p>	
SIZE	CODE IDENT NO.	DRAWING NO.	REV.
B	08505	XR25	
SCALE	2:1	SHEET	1 OF 1

THE INFORMATION CONTAINED IN THIS DOCUMENT IS PROPRIETARY TO E-Z-HOOK. THE INFORMATION IS NOT TO BE REPRODUCED WITHOUT PRIOR WRITTEN PERMISSION OF E-Z-HOOK, DIV. OF TEKTEST INC. MAXIMUM TESTED RATINGS IN A HANDS-FREE CONTROLLED ENVIRONMENT. MAXIMUM RATINGS ARE NOT TO BE USED CONCURRENTLY.