

NOTES: UNLESS OTHERWISE SPECIFIED

1. CONSTRUCTION:

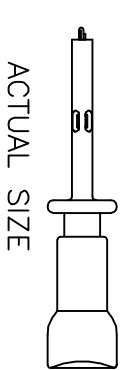
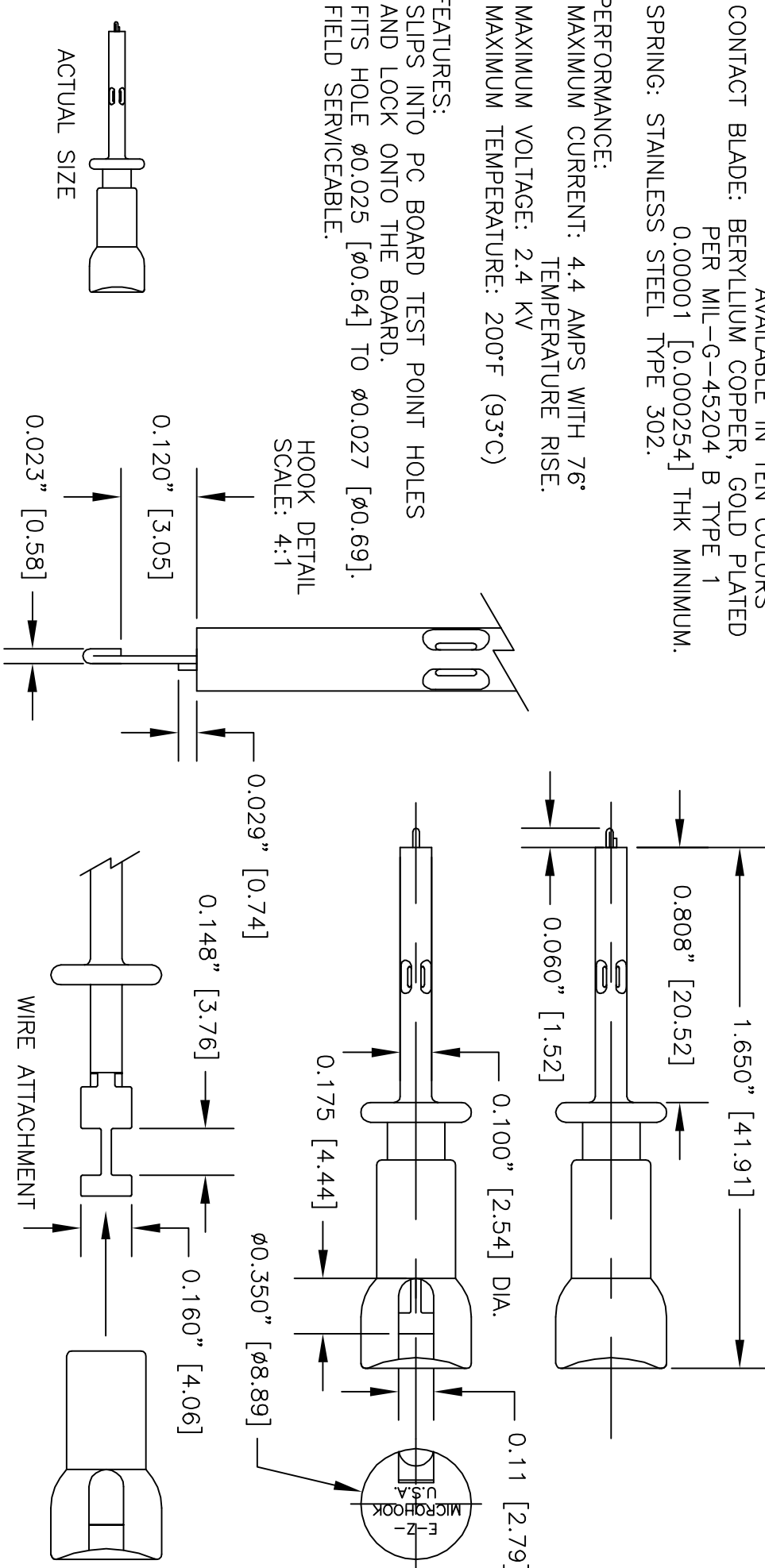
HOUSING & PLUNGER: MOLDED NYLON TYPE 6,6.  
 AVAILABLE IN TEN COLORS  
 CONTACT BLADE: BERYLLIUM COPPER, GOLD PLATED  
 PER MIL-G-45204 B TYPE 1  
 0.00001 [0.000254] THK MINIMUM.  
 SPRING: STAINLESS STEEL TYPE 302.

2. PERFORMANCE:

MAXIMUM CURRENT: 4.4 AMPS WITH 76°  
 TEMPERATURE RISE.  
 MAXIMUM VOLTAGE: 2.4 KV  
 MAXIMUM TEMPERATURE: 200°F (93°C)

3. FEATURES:

SLIPS INTO PC BOARD TEST POINT HOLES  
 AND LOCK ONTO THE BOARD.  
 FITS HOLE  $\phi 0.025$  [ $\phi 0.64$ ] TO  $\phi 0.027$  [ $\phi 0.69$ ].  
 FIELD SERVICEABLE.



UNLESS OTHERWISE SPECIFIED DIMENSIONS ARE IN INCHES TOLERANCES ARE: FRACTIONS DECIMALS ANGLES		CONTRACT NO.		DESCRIPTION	
±	.XX ±	±		<b>E-ZHOOK</b> DIVISION OF TEKTEST INC. ARCADIA, CA 91006 U.S.A. E-Z MICRO-LOCK HOOK CONNECTOR	
	.XXX ±	±			
MATERIAL SEE NOTE.		APPROVALS			
FINISH SEE NOTE.		DATE		SIZE CODE IDENT NO. DRAWING NO.	
APPLICATION USED ON		DRAWN		A 08505 XG25CCOLOR	
DO NOT SCALE DRAWING		APPROVED BY		SCALE 2:1	
		R.L.		SHEET 1 OF 1	
		7/09		REV.	

THE INFORMATION CONTAINED IN THIS DOCUMENT IS PROPRIETARY TO E-ZHOOK. THE INFORMATION IS NOT TO BE REPRODUCED WITHOUT PRIOR WRITTEN PERMISSION OF E-ZHOOK. DIV. OF TEKTEST INC. MAXIMUM TESTED RATINGS IN A HANDS-FREE CONTROLLED ENVIRONMENT. MAXIMUM RATINGS ARE NOT TO BE USED CONCURRENTLY.

LTR	DESCRIPTION	REVISIONS	DATE	APPROVED