

NOTES: UNLESS OTHERWISE SPECIFIED

1. CONSTRUCTION:

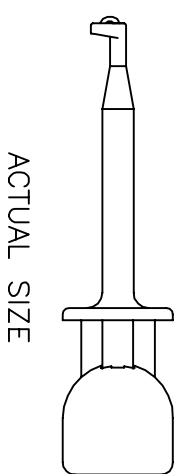
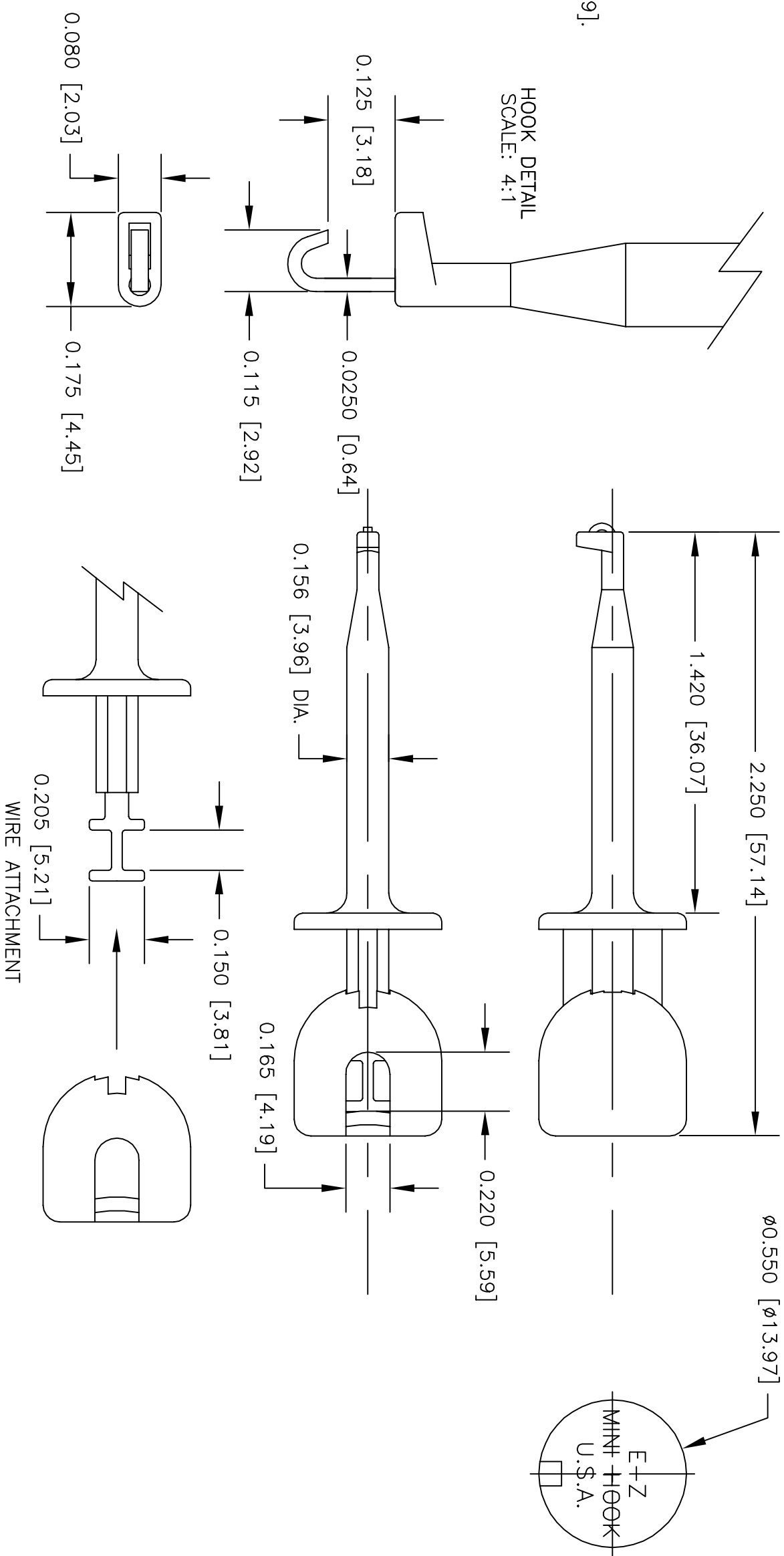
HOUSING & PLUNGER: MOLDED NYLON TYPE 6,6.
 AVAILABLE IN TEN COLORS.
 CONTACT BLADE: BERYLLIUM COPPER PER QQ-C-533.
 GOLD PLATED PER MIL-G-45204 B TYPE 1 .00001" THICK MINIMUM
 SPRING: STAINLESS STEEL TYPE 302

2. PERFORMANCE:

MAXIMUM CURRENT: 5.9 AMPS WITH A 77° TEMPERATURE RISE.
 MAXIMUM VOLTAGE: 5.4 KV
 MAXIMUM TEMPERATURE: 200°F (93°C)

3. FEATURES:

HOOK FITS COMPONENTS UP TO $\phi 0.059$ " [1.50].
 LEAD EXIT HOLE INCREASED TO FIT $\phi 0.165$ " [4.19].
 FIELD SERVICEABLE.



ACTUAL SIZE

UNLESS OTHERWISE SPECIFIED DIMENSIONS ARE IN INCHES. TOLERANCES ARE: FRACTIONS DECIMALS ANGLES		CONTRACT NO.	
± .XX ±	± .XXX ±	APPROVALS	DATE
MATERIAL SEE NOTE.		R.L.	6/09
FINISH SEE NOTE.		APPROVED BY	
NEXT ASSY USED ON		SIZE	CODE IDENT NO.
APPLICATION		B	08505
		SCALE	DRAWING NO.
		2:1	XRA
		SHEET 1 OF 1	REV.
EZ-HOOK DIVISION OF TEKTEST INC. ARCADIA, CA 91006 U.S.A. DESCRIPTION: E-Z-MINI-HOOK FOR HEAVY LEAD WIRE			

LTR	REVISIONS	DESCRIPTION	DATE	APPROVED